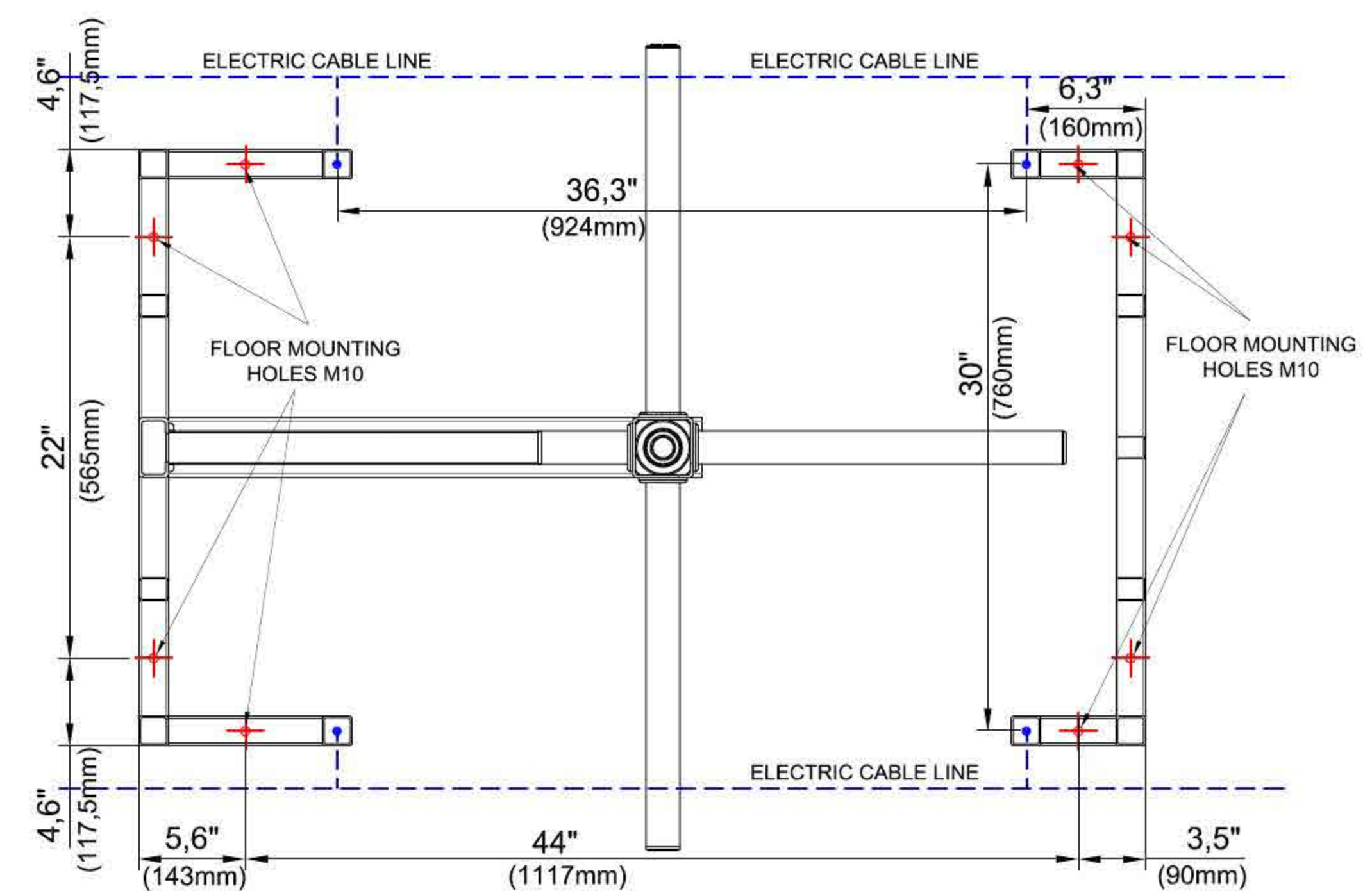
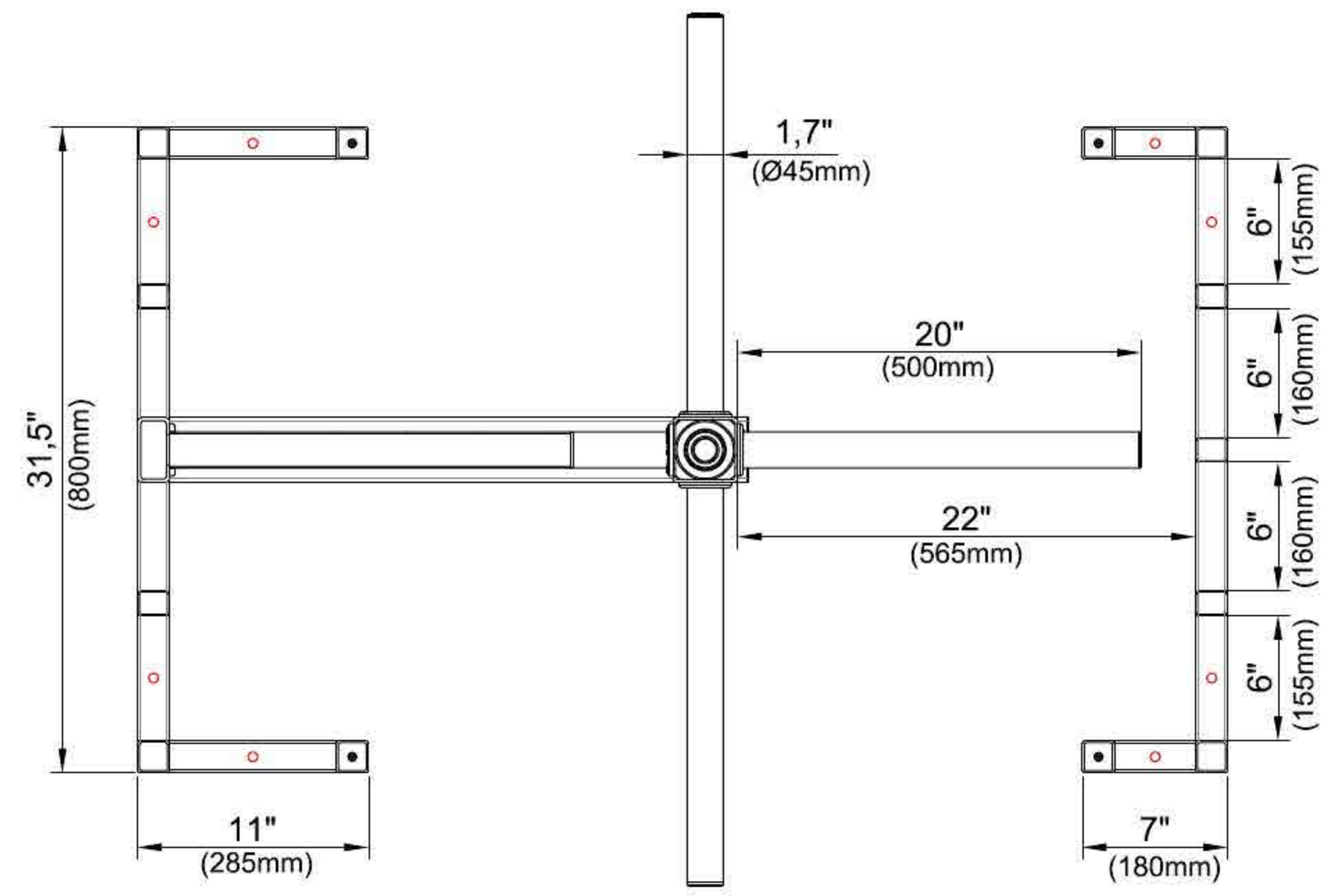


SECTION A-A



TECHNICAL DRAWING DIMENSIONING		REVISION	
DRAWING MODEL		TANSASECURITY.COM	
TTT-114-S		A3	
SCALE : 1/10		PAGE 1 / 1	