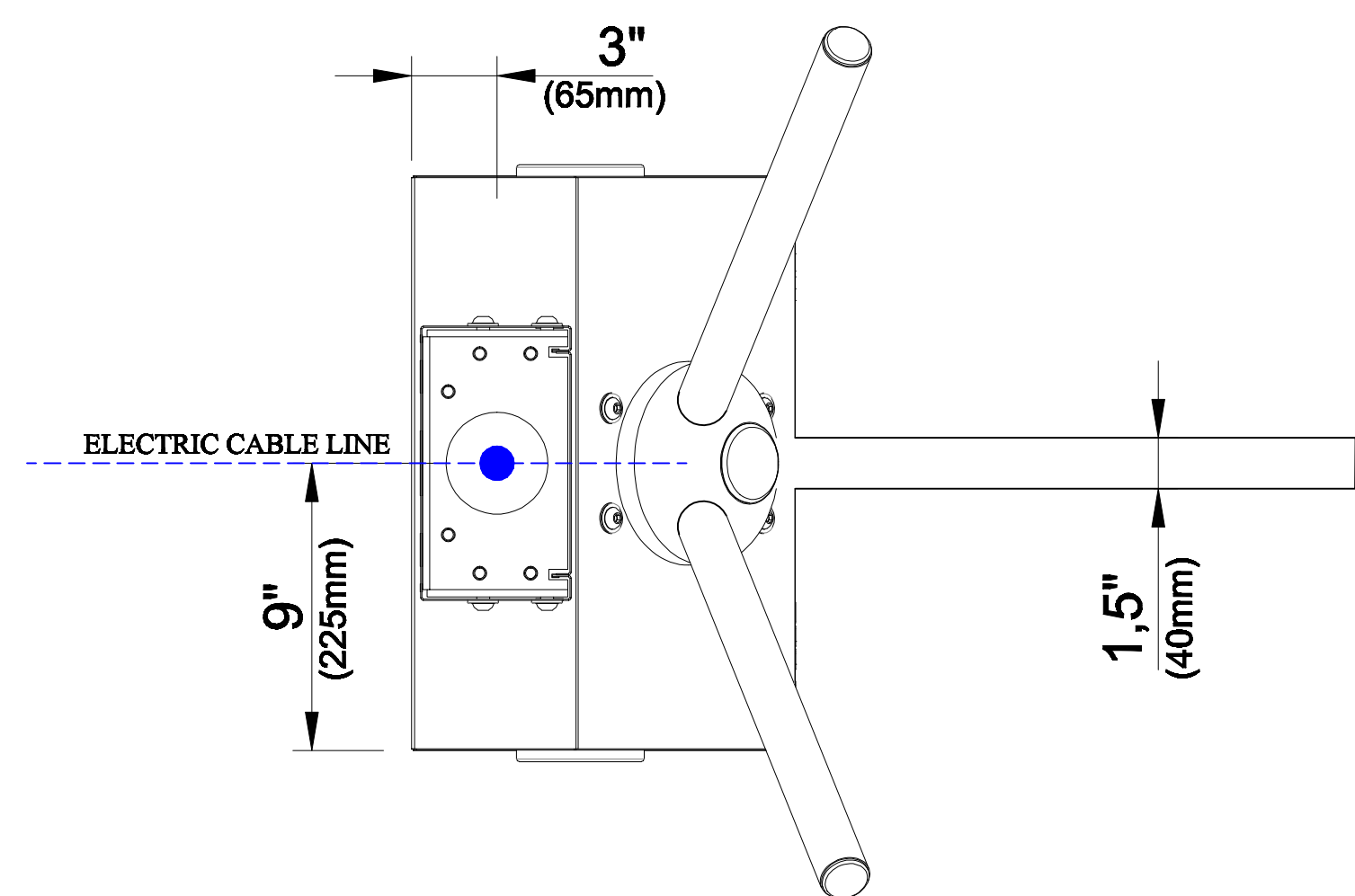
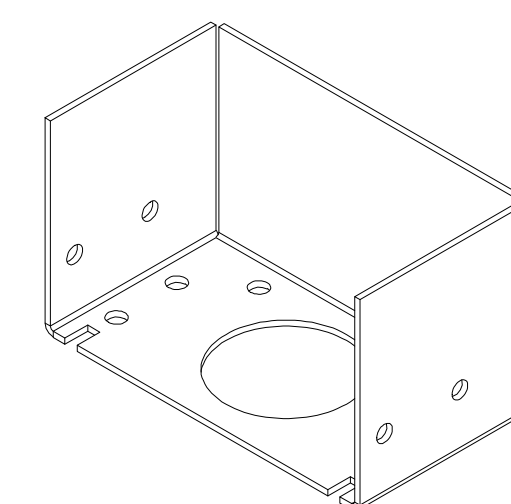
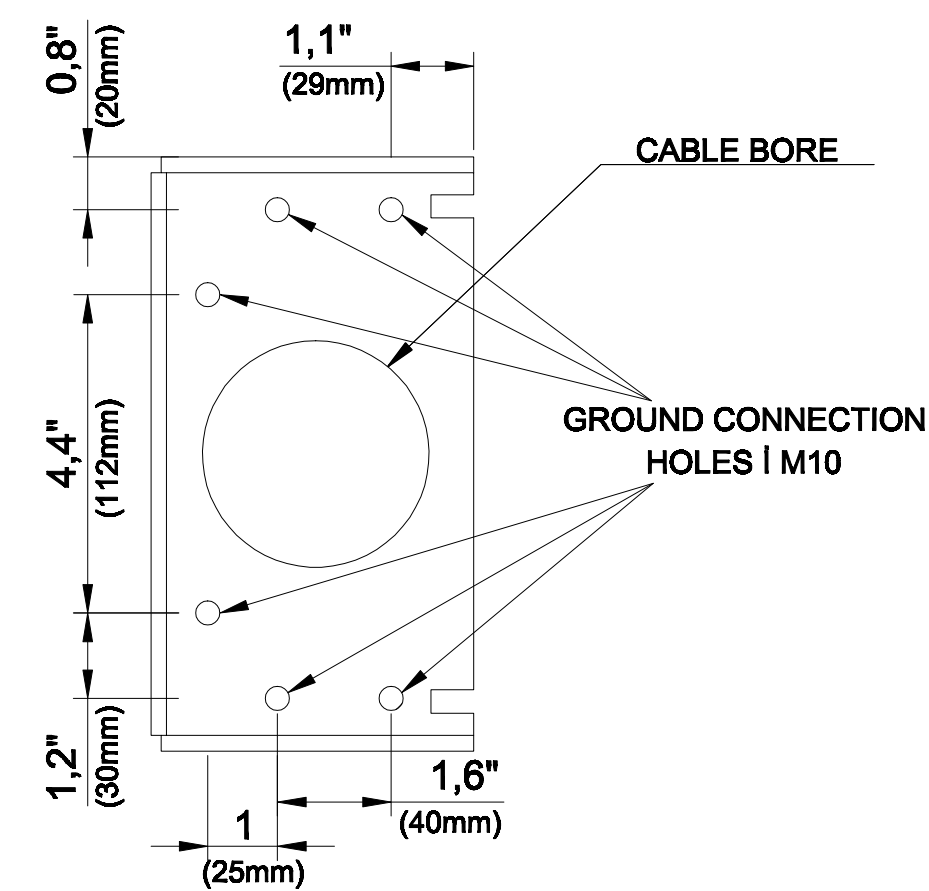


BASE VIEW OF TURNSTILE

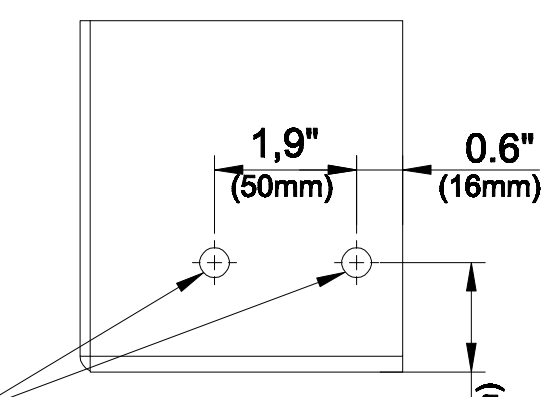


BASE VIEW OF GROUND CONNECTION PLAQUE




ISOMETRIC VIEW OF GROUND CONNECTION

FRONT VIEW OF GROUND CONNECTION PLAQUE



GROUND CONNECTION HOLES | M10

TECHNICAL DRAWING DIMENSIONING		REVISION
 TANSA 1962 SINCE TANSASECURITY.COM		
DRAWING MODEL		A4
LTT 313		
SCALE : 1/15	PAGE 1 / 1	