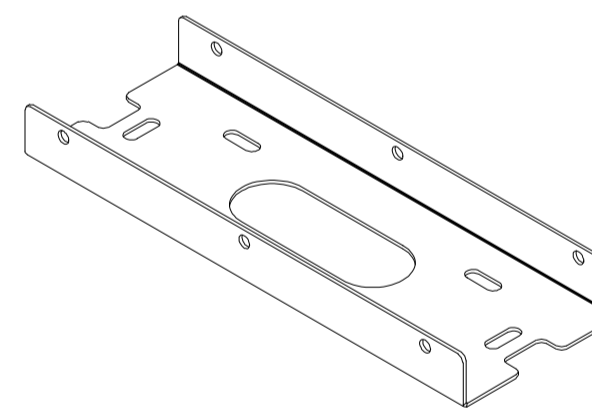
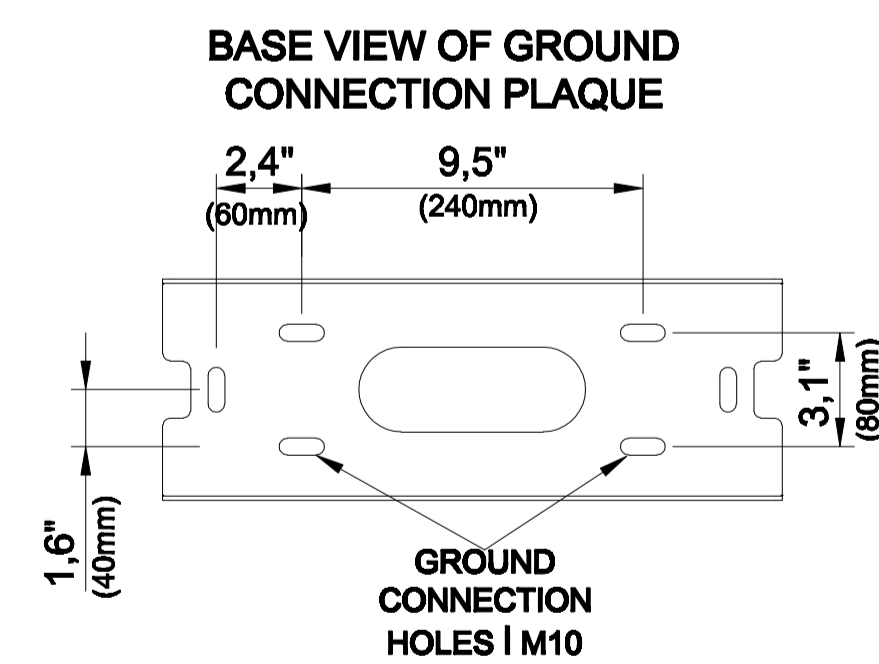
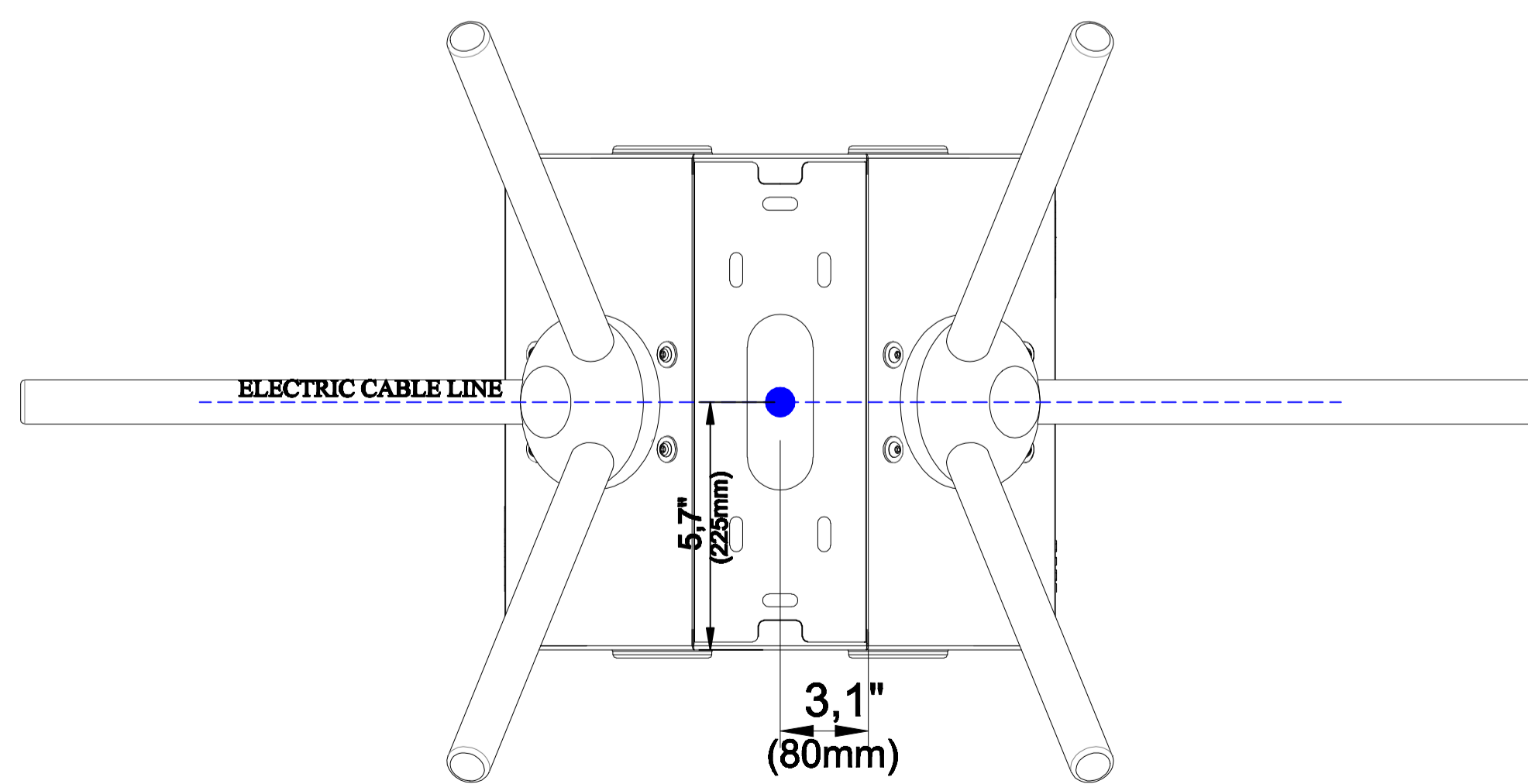
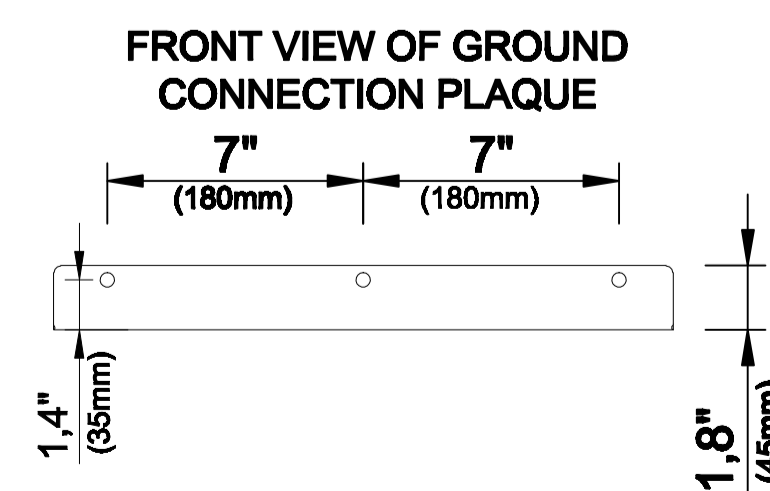



BASE VIEW OF TURNSTILE



ISOMETRIC VIEW OF GROUND CONNECTION



TECHNICAL DRAWING DIMENSIONING		REVISION
 TANSA 1962 SINCE TANSASEcurity.COM		
DRAWING MODEL		A4
LTT 313E DOUBLE		
SCALE : 1/15	PAGE 1 / 1	