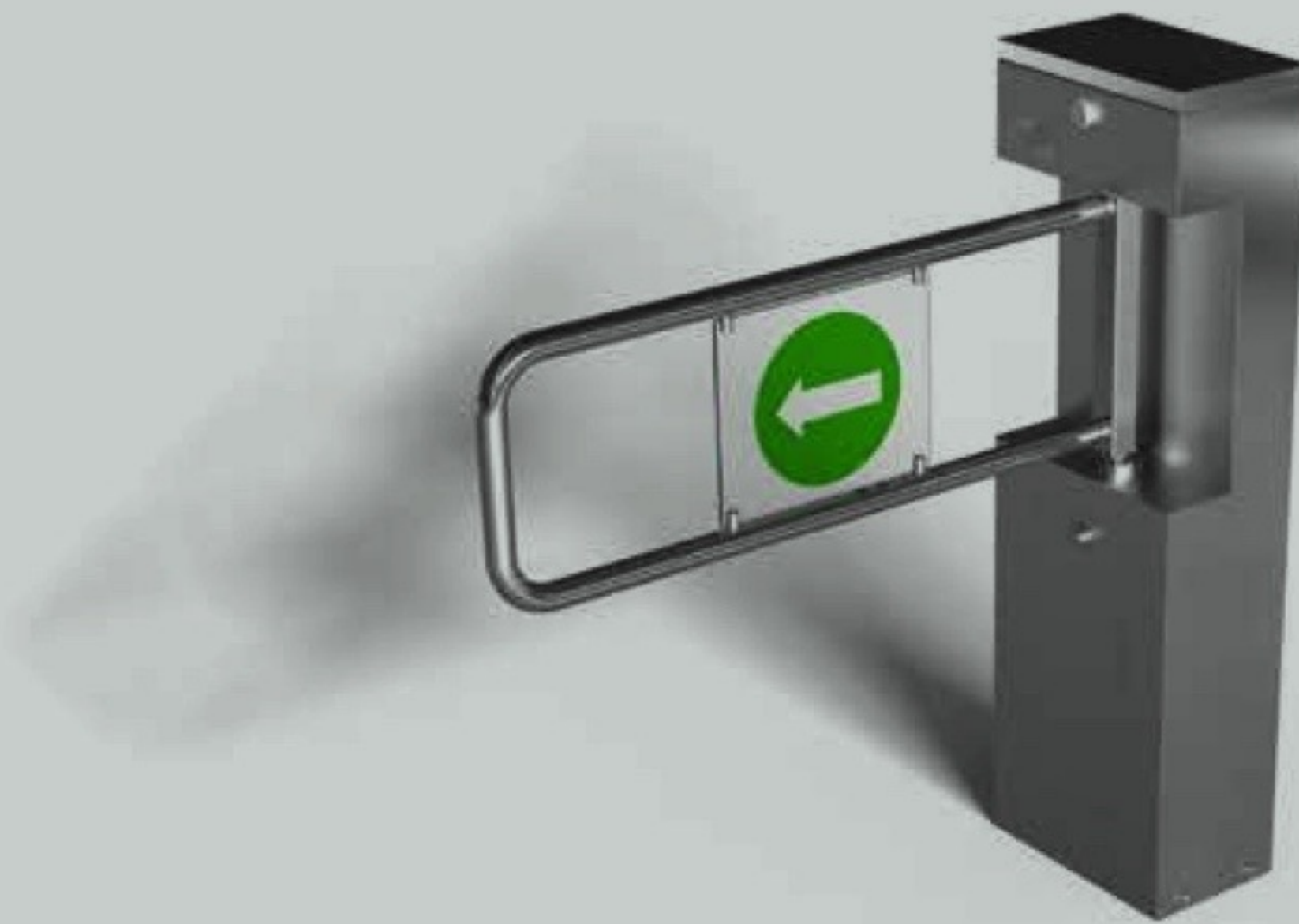
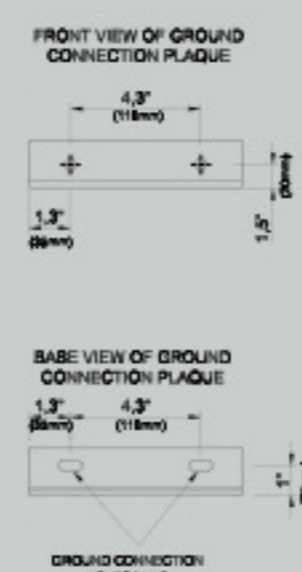
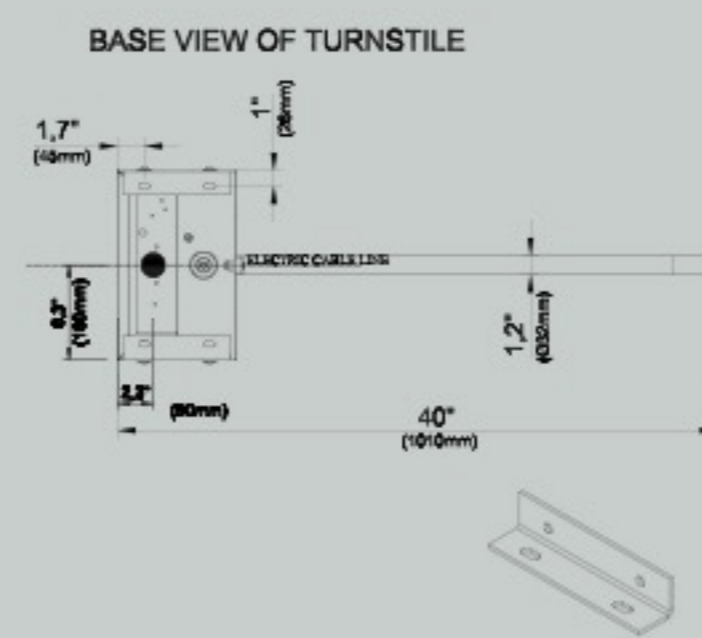
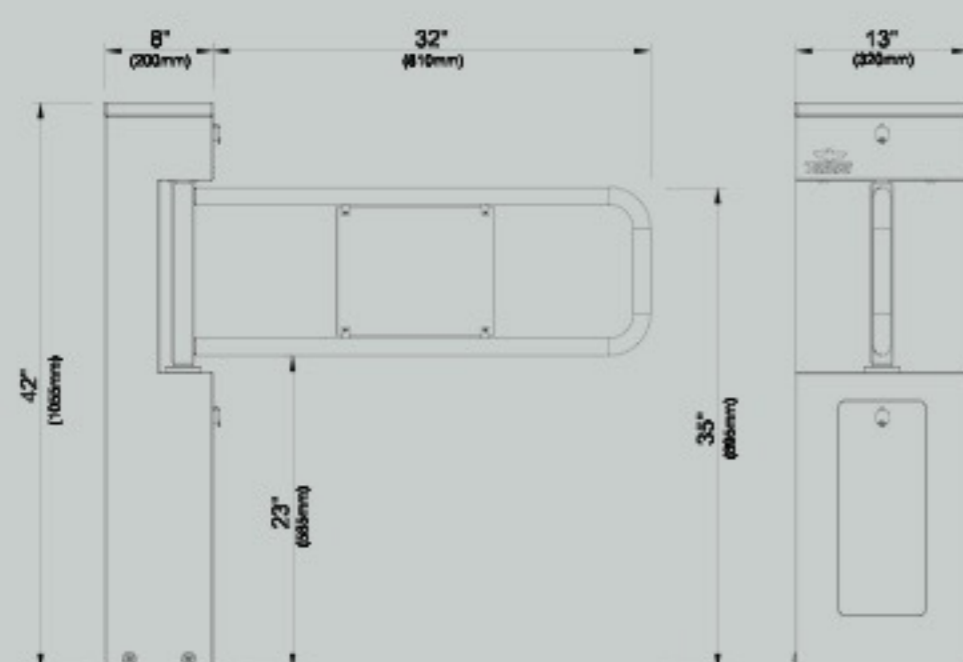


# SG 312



## TECHNICAL SPECIFICATIONS

<b>Operation</b>	Motor wing operable in either direction	<b>Operating Voltage</b>	220 VAC, 60 Hz
<b>Chassis</b>	AISI 304 quality stainless steel	<b>Power Consumption</b>	20 W during passages, 15 W during stand-by
<b>Wings</b>	1.5 mm thickness AISI 304 quality unibody rustproof	<b>Operating Temperature</b>	-20°C / +50°C
<b>Functions</b>	Automatic closure, service mode, soft stop capability at locking points, audio warning	<b>Opening-Closing Speed</b>	2 seconds
<b>Emergency Mode</b>	In cases of emergency, the unit switches in to "emergency mode" following the signal received from fire detection system, and the wing can be opened in either directions automatically.	<b>Passage Width</b>	80 cm
		<b>Weight</b>	30 kg
		<b>Security Level</b>	Deterrent
		<b>Areas of Use</b>	Suitable for indoor use



ISOMETRIC VIEW OF GROUND CONNECTION

